

GLO-BALL BASIC 2

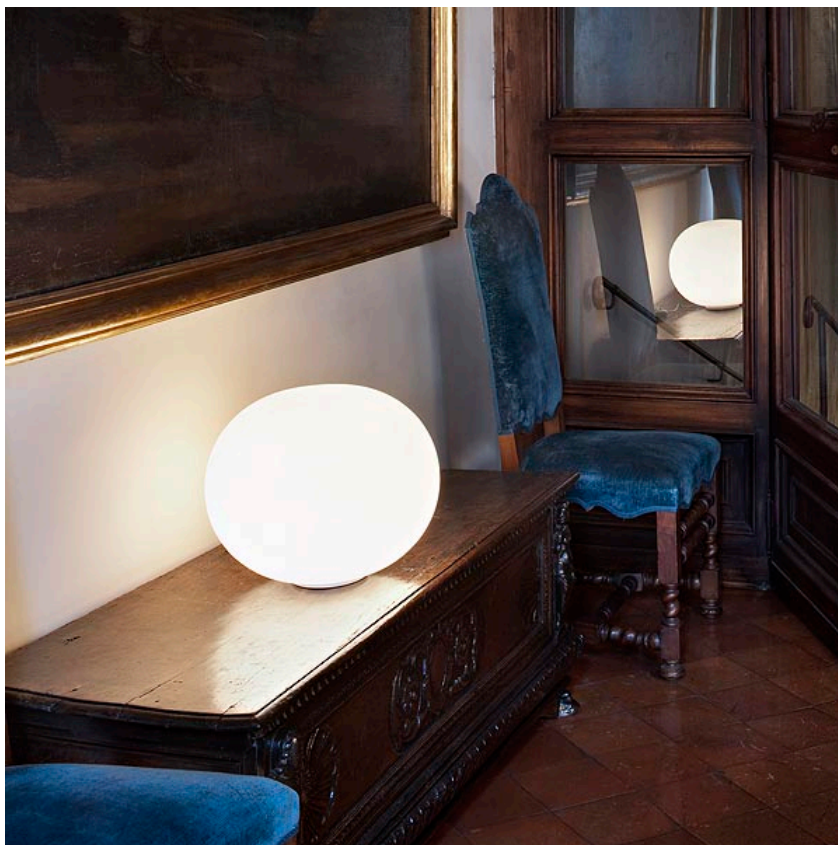
Mounting	Table
Lamps description	1 x MAX 205W E27 HSGS
Environment	Indoor
Finish	White
Technical description	Table/desk lamp providing diffused light. Diffuser consisting of an externally acidetched, hand blown, flashed opaline glass and a die-cast aluminum threaded ring nut with alodine plating finish. 30% fiberglass reinforced injection-molded polyamide base. Gray painted, die-cast aluminum diffuser support. On the cable there is the electronic dimmer which allows the regulation of light brightness.

ELECTRICAL

Emergency Switching	Without
Voltage (V)	230

PHYSICAL

Supply	Power cord
Cord length(mm)	1900
Construction material	Aluminum, Blown glass, Plastic
Weight (kg)	5.3



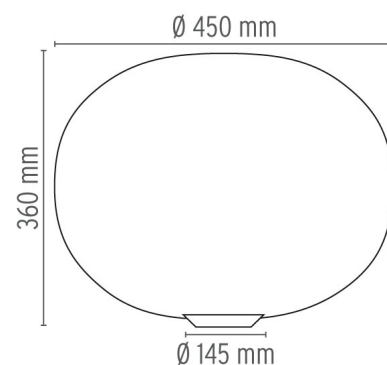
Glo-Ball Basic 2

designed by Jasper Morrison

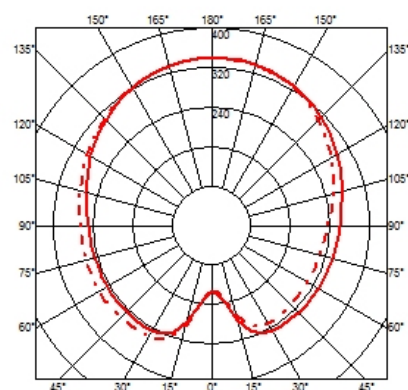
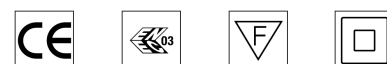
Table/desk lamp providing diffused light

● F3026000 White

DIMENSIONS



CERTIFICATIONS



Glo-Ball Basic 2 . Lamps



HSGS 205W E27

Lamp Watt:
205 W

Lamp category:
Halogen mains

Socket:
E27

Lamp type:
HSGS



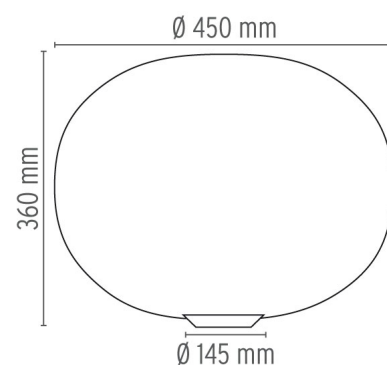
Glo-Ball Basic 2

designed by Jasper Morrison

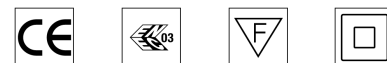
Table/desk lamp providing diffused light

● F3026000 White

DIMENSIONS



CERTIFICATIONS



IP
40

