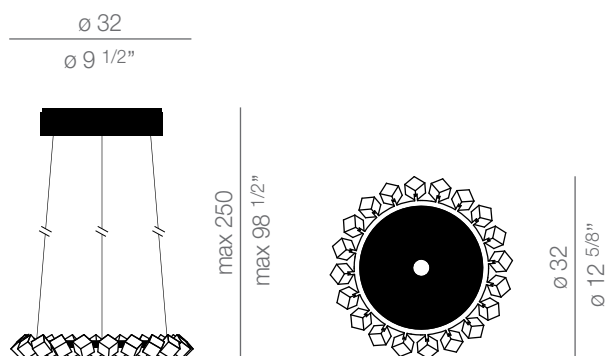



## Collier uno



luminaire	
finish	transparent
materials	polymethylmethacrylate, aluminium, steel
environment	interiors
mounting location	ceiling
emission	indirect and direct light
dimming	cut-phase
voltage	230V
ballast	2 x dimmable electronic integrated
insulation class	1
IP classification	IP20
certifications	CE 
design	Mario Melocchi, 2012

lower emission	
source	LED
number of led	1
power	13W
energy label	A
luminous flux	1.500 lm
colour temperature	3.000 °K
CRI	≥ 80

upper emission	
source	LED
number of led	42
power	16W
energy label	A
luminous flux	1.500 lm
colour temperature	3.000 °K
CRI	≥ 80

### versions



**Collier uno**  
cod 1101

**Collier due**  
cod 1102

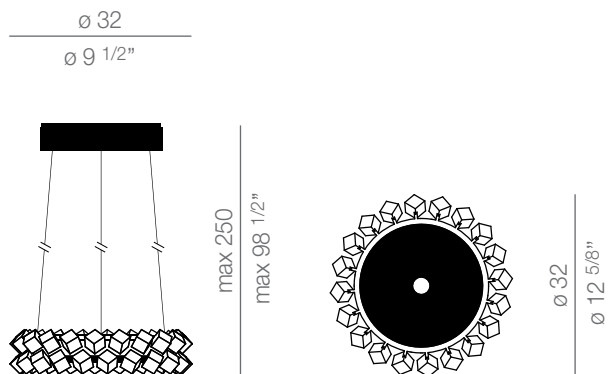
**Collier tre**  
cod 1103


**Collier quattro**  
cod 1104

**Light & Concept**  
www.lichtconcept.ch

**CINI & NILS**

## Collier due



luminaire	
finish	transparent
materials	polymethylmethacrylate, aluminium, steel
environment	interiors
mounting location	ceiling
emission	indirect and direct light
dimming	cut-phase
voltage	230V
ballast	2 x dimmable electronic integrated
insulation class	1
IP classification	IP20
certifications	CE 
design	Mario Melocchi, 2012

lower emission	
source	LED
number of led	1
power	13W
energy label	A
luminous flux	1.300 lm
colour temperature	3.000 °K
CRI	≥ 80

upper emission	
source	LED
number of led	42
power	16W
energy label	A
luminous flux	1.500 lm
colour temperature	3.000 °K
CRI	≥ 80

### versions



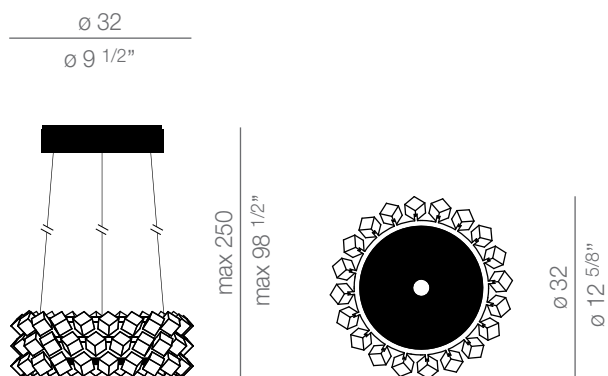
**Collier uno**  
cod 1101


**Collier due**  
cod 1102

**Collier tre**  
cod 1103

**Collier quattro**  
cod 1104

## Collier tre



luminaire	
finish	transparent
materials	polymethylmethacrylate, aluminium, steel
environment	interiors
mounting location	ceiling
emission	indirect and direct light
dimming	cut-phase
voltage	230V
ballast	2 x dimmable electronic integrated
insulation class	1
IP classification	IP20
certifications	CE 
design	Mario Melocchi, 2012

lower emission	
source	LED
number of led	1
power	13W
energy label	A
luminous flux	1.300 lm
colour temperature	3.000 °K
CRI	≥ 80

upper emission	
source	LED
number of led	42
power	16W
energy label	A
luminous flux	1.500 lm
colour temperature	3.000 °K
CRI	≥ 80

### versions



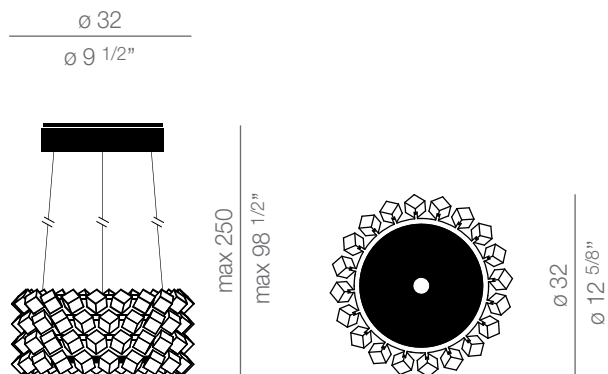
**Collier uno**  
cod 1101

**Collier due**  
cod 1102

**Collier tre**  
cod 1103

**Collier quattro**  
cod 1104

## Collier quattro



luminaire	
finish	transparent
materials	polymethylmethacrylate, aluminium, steel
environment	interiors
mounting location	ceiling
emission	indirect and direct light
dimming	cut-phase
voltage	230V
ballast	2 x dimmable electronic integrated
insulation class	1
IP classification	IP20
certifications	CE
design	Mario Melocchi, 2012

lower emission	
source	LED
number of led	1
power	13W
energy label	A
luminous flux	1.300 lm
colour temperature	3.000 °K
CRI	≥ 80

upper emission	
source	LED
number of led	42
power	16W
energy label	A
luminous flux	1.500 lm
colour temperature	3.000 °K
CRI	≥ 80

### versions



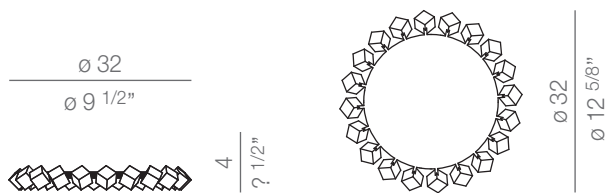
**Collier uno**  
cod 1101

**Collier due**  
cod 1102

**Collier tre**  
cod 1103

**Collier quattro**  
cod 1104

**Collier anello A**  
**Collier anello B**



luminaire	
finish	transparent
materials	polymethylmethacrylate, aluminium, steel
environment	interiors
mounting location	ceiling
insulation class	1
IP classification	IP20
certifications	CE
design	Mario Melocchi, 2012

**versions**



**Collier uno** cod 1101  
**Collier due** cod 1102  
**Collier tre** cod 1103  
**Collier quattro** cod 1104

**components**



**Anello A** cod 110A  
**Anello B** cod 110B